



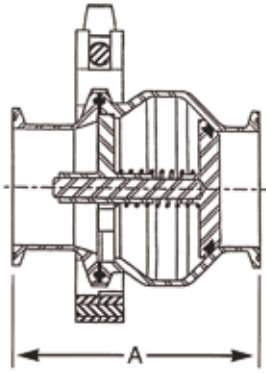
W45 Check Valve

Features:

- 316L Stainless Steel
- Rugged, Machined-from-bar stock body
- Compact, Full-Flow design with sealed, liquid-tight closure

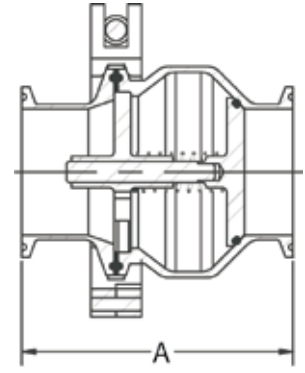


W45 Check Valve



Fixed compression closure option for high velocities.

Size	A
1"	4"
1½"	4"
2"	4"
2½"	5"
3"	5½"
4"	6"



O-ring seat with light spring (1.4 psi opening force) for low flow resistance.

316L Stainless Steel Construction

Machined from solid bar stock and all surfaces machined at 32Ra or better.

Electro-polished Spring

Eliminates premature failure from surface stress in the spring; easier to clean, longer life.

Limited Stroke to Prevent Over-compression:

- *Improves Spring Life*
- *Reduces Stem Wear*
- *Improves Cleanability*



PROCESS EQUIPMENT

Your local contact:



SPX Process Equipment

611 Sugar Creek Road

Delavan, WI 53115

Phone: (262)728-1900 or (800)252-5200 Fax: (262)728-4904 or (800)252-5012

E-mail: wcb@spx.com

For more information about our worldwide locations, approvals, certifications, and local representatives, please visit www.spxpe.com.

SPX Corporation reserves the right to incorporate our latest design and material changes without notice or obligation.

Design features, materials of construction and dimensional data, as described in this bulletin, are provided for your information only and should not be relied upon unless confirmed in writing.

Issued: 02/2009 FH-1836

Copyright © 2006, 2009 SPX Corporation